

WORLDWIDE SALES NETWORK



GH Hollow Metal
Doors & Frames www.ghdwi.com

Dalian Golden House Door & Window Manufacture Co.,Ltd.

Address: Room301, No. 2-121, Shengli Road, Dalian City China.

Tel: 0086-411-84313423

Fax: 0086-411-84359567

E-mail: sales@ghdwi.com

GH Hollow Metal Doors & Frames Industries Corp.USA Branch

Address: 15715 Heron Ave. La Mirada, CA. 90638 USA

Tel: 714-5628808

Fax: 714-5628898

E-mail: sales@ghdwi.com

GH Hollow Metal Doors & Frames Industries Corp. Canada Branch

Address: 1750 Coast Meridian RD, Port Coquitlam, BC

Tel: 604-4756679

Fax: 604-4756678

E-mail: sales@ghdwi.com

www.ghdwi.com

GH Hollow Metal
Doors & Frames

GH Hollow Metal Doors & Frames



INTRODUCTION

GH Hollow Metal Doors & Frames Industries Corp. is a professional manufacturer of a wide range of hollow metal doors, frames and wood doors for commercial and residential construction. GH Hollow Metal Doors & Frames Industries Corp. has more than 20 years experience and the occupying area of company is 1, 200,000 sq. ft., state of manufacturing facility includes manufacturing for nearly 1,000,000 sets of door and 1,000,000 sets of frame every year. GH products constantly strive to meet the demands of the doors by providing premium products to the customers. The GH commitment is to provide superior quality and efficient service, at competitive pricing to our valued customers.



Hollow Metal Doors & Frames



FLUSH STEEL COMMERCIAL DOORS

STEEL DOOR SKIN:

16GA (1.5mm), 18GA (1.1mm), 20GA (0.9mm)
A40 Galvanized Or Cold-rolled Steel Skins
Construction is 1-3/4" (45mm) Thickness

Hinge, closer, lock and strike plate reinforcements shall be provided.

Hinge reinforcement: 10GA (3.5mm)

Closer reinforcement: 12GA (2.5mm)

Lock reinforcement: 16GA (1.5mm)

Strike plate reinforcement: 16GA (1.5mm)

The top, bottom and side closures are fabricated from 16GA(1.5mm) thick channel shaped steel sections welded to the front and back door skins.

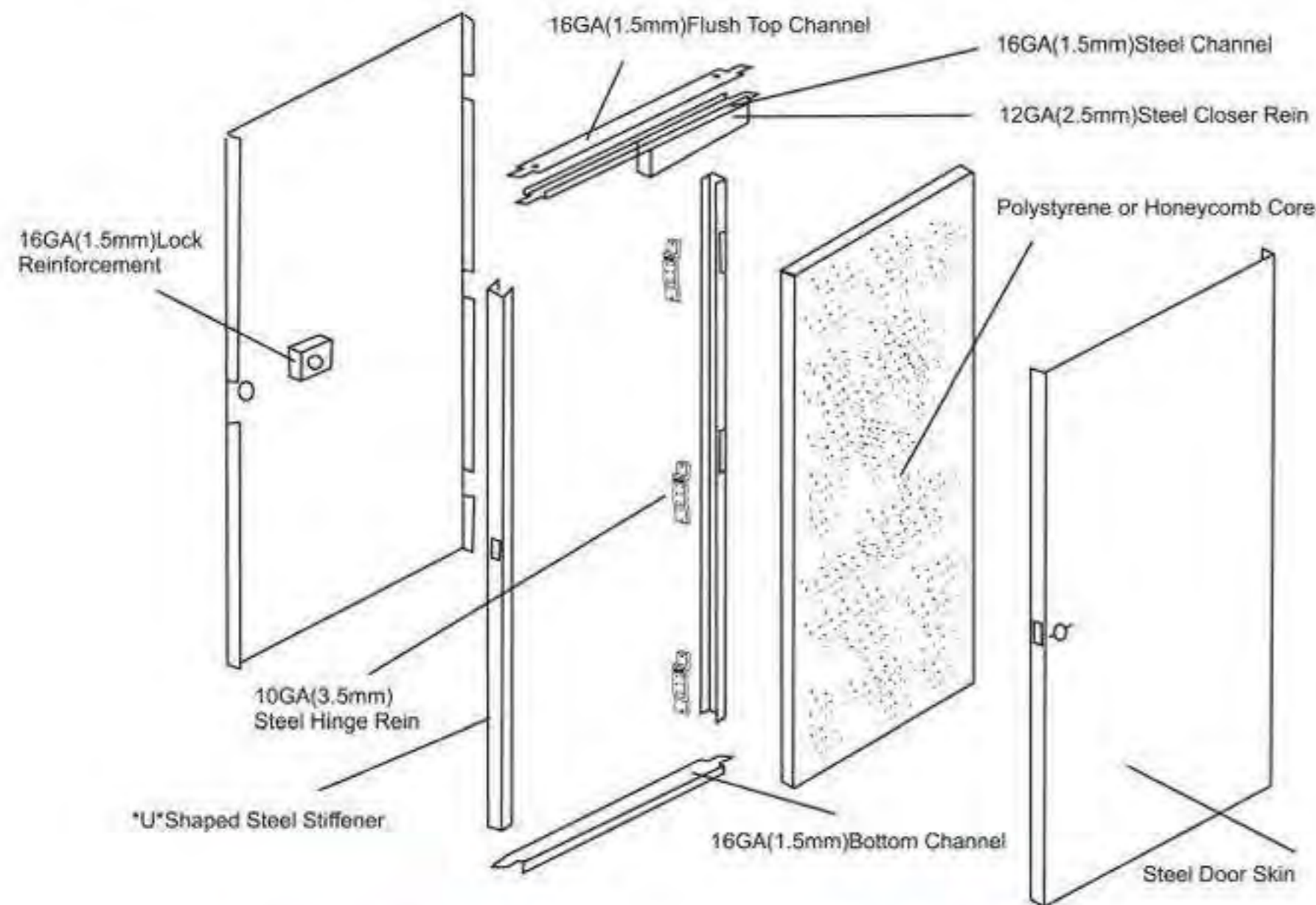
Flush top channel: 16GA(1.5mm)

Laser-welded side-seamed edge.

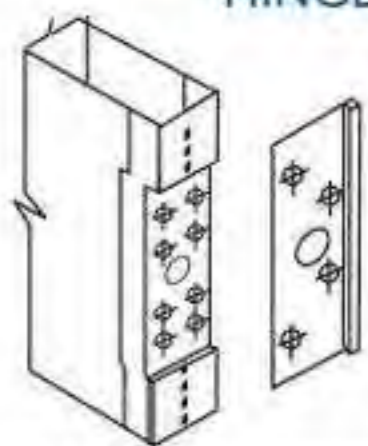
Widths up to and including 4'0"

Heights up to and including 8'0"

Available with polystyrene core or honeycomb core.



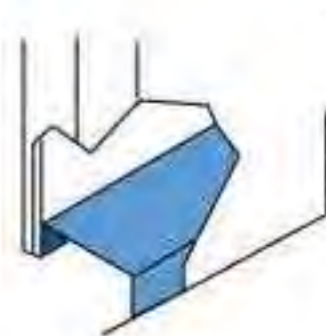
HINGE SHIM



10GA(3.5mm) Steel Hinge Rein.

4-1/2" Hinge

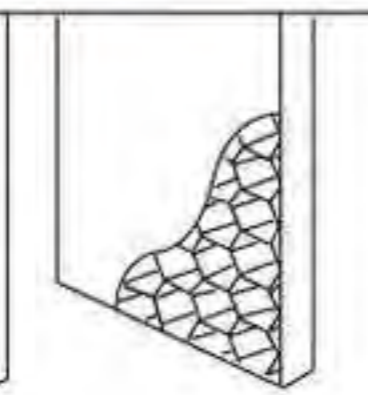
CORE SERIES



16GA(1.5mm) bottom channel



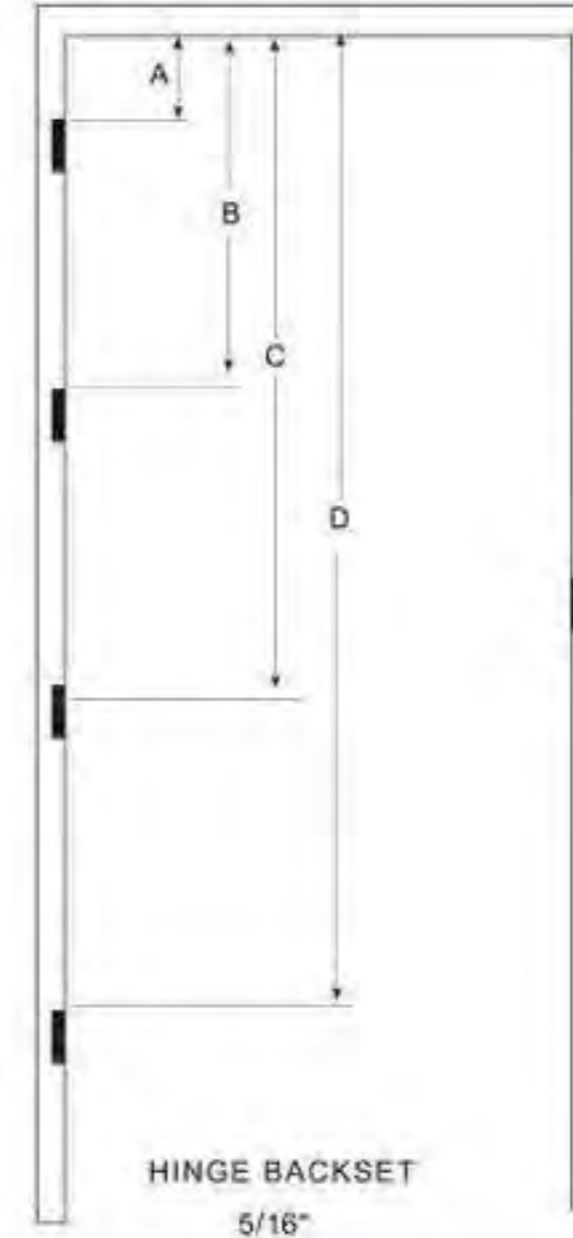
Polystyrene Core



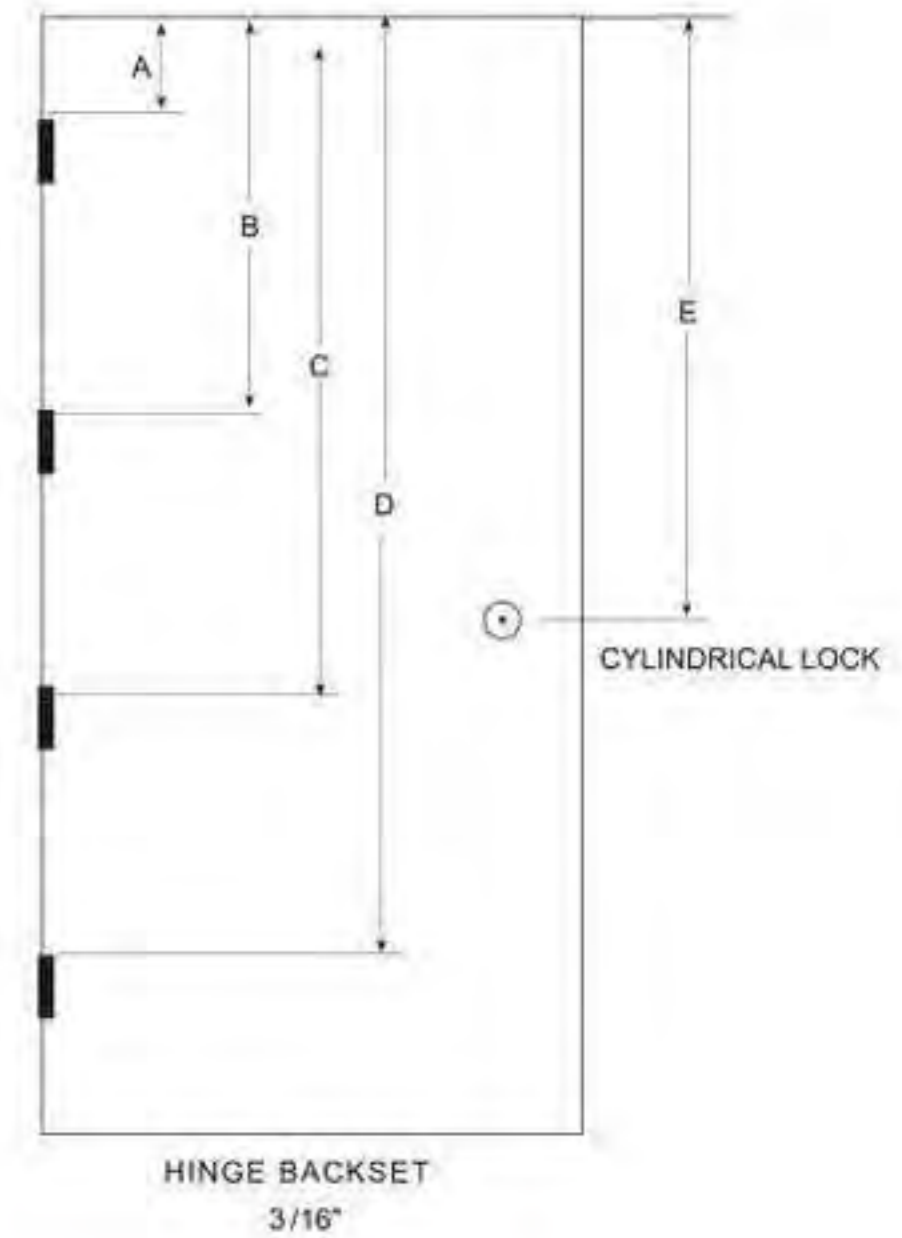
Honeycomb Core

HINGE AND LOCK PREP LAYOUT

FRAME



DOOR



FRAME Other locations are available. We make to request.

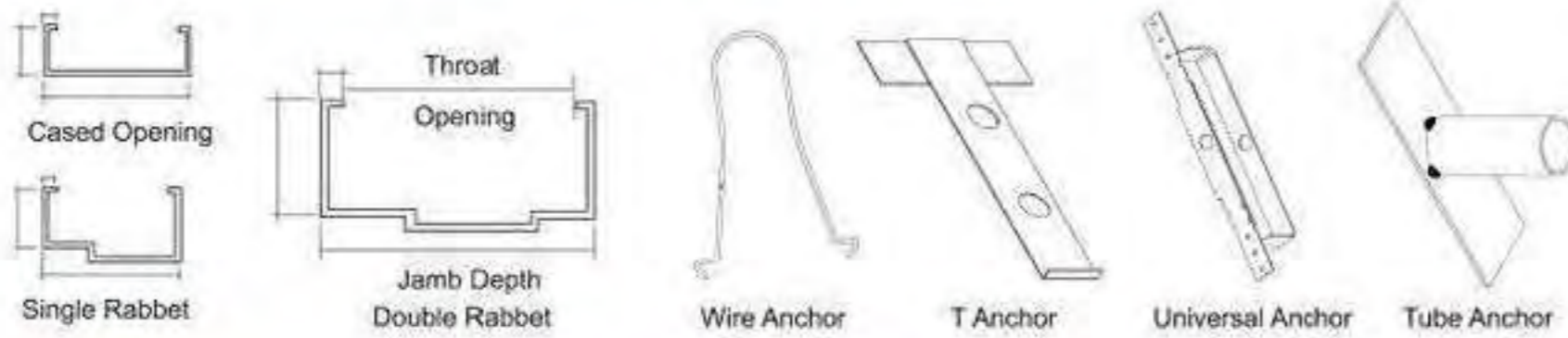
SIZE	A	B	C	D	E
6'8"	7-1/2"	37-7/16"	67-3/8"		39-11/16"
7'0"	7-1/2"	39-7/16"	71-3/8"		43-11/16"
8'0"	7-1/2"	32-51/64"	58-3/32"	83-25/64"	55-11/16"

DOOR Other locations are available. We make to request.

SIZE	A	B	C	D	E
6'8"	7-3/8"	37-5/16"	67-1/4"		39-9/16"
7'0"	7-3/8"	39-5/16"	71-1/4"		43-9/16"
8'0"	7-3/8"	32-43/64"	57-31/32"	83-17/64"	55-9/16"

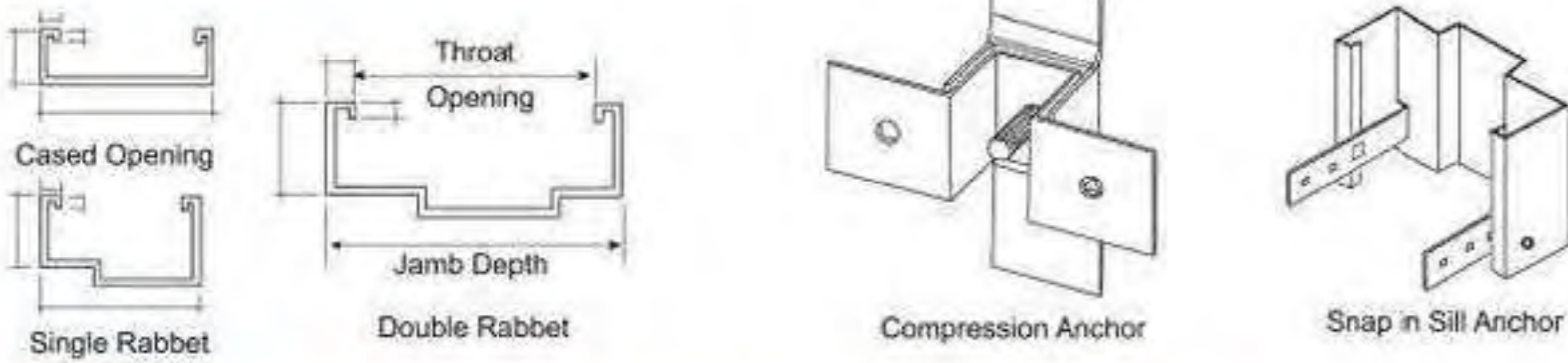
For mortise lock, dimension E is 3/8" greater.

MASONRY/STUD CONSTRUCTION FRAME



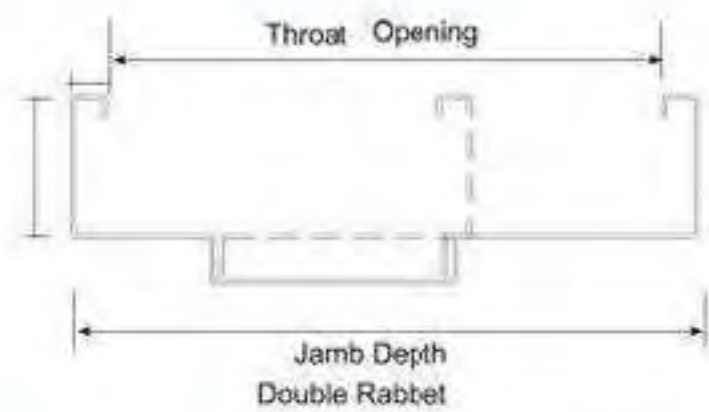
Jamb Depth	4-3/4"	5-3/4"	6-1/4"	6-3/4"	7-1/4"	7-3/4"	8-1/4"	8-3/4"	9-1/4"	10-1/4"
Throat Opening	3-3/4"	4-7/8"	5-1/4"	5-3/4"	6-1/4"	6-3/4"	7-1/4"	7-3/4"	8-1/4"	9-1/4"

DRYWALL FRAME



Jamb Depth	4-3/4"	5-7/8"	6-1/4"	6-5/8"	7-1/4"	7-3/4"	8-1/4"
Throat Opening	3-3/4"	4-7/8"	5-1/4"	5-5/8"	6-1/4"	6-3/4"	7-1/4"

ADJUSTABLE FRAME

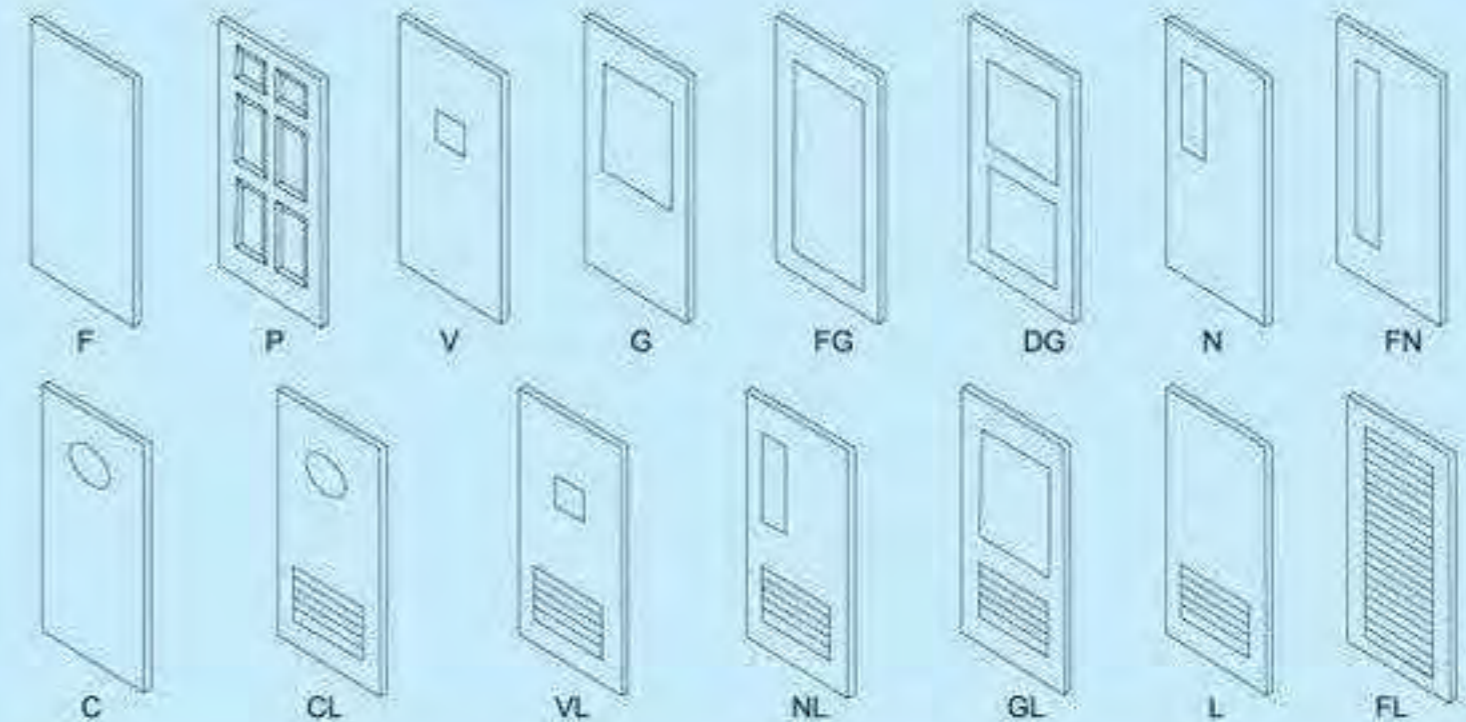


Jamb Depth	Mini Size 5-7/8"	Max Size 8-7/8"
Throat Opening	Mini Size 4-7/8"	Max Size 7-7/8"

WELDED OR KNOCK DOWN STEEL FRAMES



DOOR TYPES



DOOR AND FRAME HANDING CHART

Left Hand(LH) 	Right Hand(RH)
Left Hand Reverse(LHR) 	Right Hand Reverse(RHR)
Left Hand Active(LHA) 	Right Hand Active(RHA)
Left Hand Reverse Active(LHRA) 	Right Hand Reverse Active(RHRA)

FIRE DOOR REQUIREMENTS

Opening	Label Classification	Location In Building	Glass
	3 HOUR RATING	3 hour rated opening (Class A). Openings are in walls separating buildings or dividing a single building into fire areas. Doors for these openings require a fire protection rating of 3 hours.	None
	1-1/2 HOUR RATING	1-1/2 hour rated opening (Class B). Openings are in enclosures of vertical communication through buildings. These could be stairwells or elevator shafts. While not a means of vertical communication, boiler room doors are generally categorized as Class "B" openings. Door for these areas require a fire protection rating of 1-1/2 hours, and glass areas may not exceed 100 square inches per individual door leaf except as noted below.	100 Sq. In. per door Leaf
	3/4 HOUR RATING	3/4 hour rated opening (Class C). Openings are in corridors and room partitions. Doors for these areas require a fire protection rating of 3/4 hour, and the glass area cannot exceed 1296 square inches per light with no dimension exceeding 54 inches except as noted below.	1296 Sq. In. per Light
	1-1/2 HOUR RATING	1-1/2 hour rated opening (Class D). Openings are in exterior walls which are subject to severe fire exposure from the outside of the building. Doors for these areas require a fire protection rating of 1-1/2 hours.	None
	3/4 HOUR RATING	3/4 hour rated opening (Class E). Openings are in exterior walls which are subject to moderate or light fire exposure from the outside of the building. A typical example would be a door leading to an exterior fire escape. Doors for these openings require a fire protection rating of 3/4 hour with glass areas not exceeding 1296 square inches per light with no dimension exceeding 54 inches.	1296 Sq. In. per Light
	20 MINUTE	20 minute fire rated door frame assemblies are normally found in interior partitions and are intended for installation with 20 minutes fire rated doors of the single or swing in pairs.	1296 Sq. In. per Light

CERTIFICATIONS

Intertek WH 3HR approval for single steel doors and frames.
 Intertek WH 1.5HR certificate for double steel doors and frames
 Intertek WH 1.5HR approval for wood doors.



FM Approval 3HR certificate for double steel doors and frames
 FM Approval 1.5HR certificate for single steel doors and frames
 FM Approval 1HR certificate for steel-wooden doors and frames



Hollow Metal Doors & Frames



FIRE RATED DOOR GALLERY



HARDWARE



Closer



Mortise Lock



Cylinder Lock



Hinge



Wire Glass



Panic Bar



Our Metal Doors



The steel used in our metal doors is widely recyclable and is frequently sourced from post-consumer sources such as the auto industry. Steel is the most commonly recycled material in the United States, more than 50 percent of the steel has been recycled through the steel manufacturing process. Impressive history of recycling, a wide variety of collection programs exist to recycle steel products.